



# Keltech List Price Book 0224KEL

Effective Date February 1, 2024

## Table of Contents

### Standard Heater Series

HL Series - Single Phase	3
HL Series - Three Phase	4
C1N Series	5
C2N Series	6
CNA Series	7 & 8
SNA Series	9 & 10
CLE Series	11

### Design on Demand Solutions

CNA-SKID Series	12
SNA-SKID Series	13
S19361 Series	14
S19361HF Series	15

For application information visit [www.bradleycorp.com](http://www.bradleycorp.com) or call 1-800-272-3539



TEL: 1-800-999-4320  
Web site: [www.bradleycorp.com](http://www.bradleycorp.com)

---

---

**CONFIDENTIAL**

**Effective Date February 1, 2024**

---

**PRICES** This price list applies from its effective date and all prior corresponding price lists are canceled. Prices are subject to change without notice. Items may be changed or discontinued without notice and without incurring obligation. For job quotations, please contact your Keltech Sales Representative in your area.

---

**SHIPMENTS AND CLAIMS** Transit damage should be noted on the freight bill before signing for receipt of material. Keltech should be notified immediately. Keltech will then file the claim with the contracted carrier as a service to the customer. Claims for shipment shortages must be FAXed within two (2) weeks of invoice date to Keltech with documentation and are subject to factory verification.

---

**MINIMUM ORDERS** Orders under \$100.00 net will incur a \$15.00 service charge.

---

**TECHNICAL ASSISTANCE** Your Keltech Sales Representative can provide technical or promotional information on Keltech products. They are specialists in the field.

---

**FREIGHT CLASSIFICATION** Electric Tankless Water Heaters 70-125

---

**WARRANTY** Product warranties may be found under "Product Information" on our website at [www.bradleycorp.com](http://www.bradleycorp.com)



TEL: 1-800-999-4320  
Web site: www.bradleycorp.com

CONFIDENTIAL

Effective Date February 1, 2024

## HL Series - Single Phase Commercial Heaters

Model	Description	Ship Wt. (lbs)	List Price
<b>5kW Commercial Heaters</b>			
HL050/208D	Single Phase 5kW, 208V Commercial Heater	36	\$3,933.00
HL050/240D	Single Phase 5kW, 240V Commercial Heater	36	\$3,933.00
<b>6kW Commercial Heaters</b>			
HL060/208D	Single Phase 6kW, 208V Commercial Heater	36	\$3,933.00
HL060/240D	Single Phase 6kW, 240V Commercial Heater	36	\$3,933.00
HL060/277D	Single Phase 6kW, 277V Commercial Heater	36	\$3,933.00
HL060/380D	Single Phase 6kW, 380V Commercial Heater	36	\$4,173.00
HL060/400D	Single Phase 6kW, 400V Commercial Heater	36	\$4,173.00
HL060/415D	Single Phase 6kW, 415V Commercial Heater	36	\$4,173.00
HL060/480D	Single Phase 6kW, 480V Commercial Heater	36	\$4,173.00
<b>10kW Commercial Heaters</b>			
HL100/208D	Single Phase 10kW, 208V Commercial Heater	36	\$3,998.00
HL100/240D	Single Phase 10kW, 240V Commercial Heater	36	\$3,998.00
<b>18kW Commercial Heaters</b>			
HL180/208D	Single Phase 18kW, 208V Commercial Heater	36	\$4,106.00
HL180/240D	Single Phase 18kW, 240V Commercial Heater	36	\$4,106.00
HL180/277D	Single Phase 18kW, 277V Commercial Heater	36	\$4,106.00
HL180/380D	Single Phase 18kW, 380V Commercial Heater	36	\$4,357.00
HL180/400D	Single Phase 18kW, 400V Commercial Heater	36	\$4,357.00
HL180/415D	Single Phase 18kW, 415V Commercial Heater	36	\$4,357.00
HL180/480D	Single Phase 18kW, 480V Commercial Heater	36	\$4,357.00

Only 480V heaters can be down rated to 380, 400, and 415 volts.

### Cabinet Options

Classification	Description	List Price
N1	NEMA-1 Enclosure (Standard)	\$0.00
N4	NEMA-4 Enclosure	\$890.00
N4X	NEMA-4X Enclosure Stainless Steel	\$2,155.00

### Product Options

Classification	Description	List Price
D1*	4-20mA Input for Integration with Facility Controls	\$647.00
DC*	RS-485 Modbus RTU	\$547.00
AL	Process Temperature Alarm	\$137.00
IC	Temperature Lock Out at _____°F (40-160°F) or _____°C (5-71°C)	\$171.00
L15	Low Flow .15 GPM Turn On Point	\$122.00
L25	Low Flow .25 GPM Turn On Point	\$122.00
T190	High Temperature Package (Select for Temp Greater than 180°F)	\$171.00
T180	High Temperature Package (Select for Temp Greater than 170°F)	\$171.00
T170	High Temperature Package (Select for Temp Greater than 160°F)	\$171.00
TE2	Xylan Fluoropolymeric Coated Heat Exchanger with Bright Annealed Stainless Steel Elements, FDA Approved for Food Contact (Use in deionized water applications)	\$4,980.00

### Installation Accessories

Classification	Description	List Price
BSPP*	Stainless Steel Thread Adapter, Converts NPT to BSPP	\$430.00
PR	ASME Pressure and Temperature Relief Valve	\$70.00
PRS	ASME Pressure Relief Valve, Stainless Steel	\$4,226.00
YS	Y-Strainer	\$136.00
YSS	Y-Strainer, Stainless Steel	\$386.00

\*Requires N4 or N4X Enclosure.

Do not include Installation Accessories in Model Number Configuration.



TEL: 1-800-999-4320  
Web site: www.bradleycorp.com

CONFIDENTIAL

Effective Date February 1, 2024

## HL Series - Three Phase Commercial Heaters

Model	Description	Ship Wt. (lbs)	List Price
<b>10kW Commercial Heaters</b>			
HL103/208D	Three Phase 10kW, 208V Commercial Heater	36	\$4,106.00
HL103/380D	Three Phase 10kW, 380V Commercial Heater	36	\$4,296.00
HL103/400D	Three Phase 10kW, 400V Commercial Heater	36	\$4,296.00
HL103/415D	Three Phase 10kW, 415V Commercial Heater	36	\$4,296.00
HL103/480D	Three Phase 10kW, 480V Commercial Heater	36	\$4,296.00
<b>15kW Commercial Heaters</b>			
HL153/208D	Three Phase 15kW, 208V Commercial Heater	36	\$4,106.00
HL153/240D	Three Phase 15kW, 240V Commercial Heater	36	\$4,106.00
<b>18kW Commercial Heaters</b>			
HL183/208D	Three Phase 18kW, 208V Commercial Heater	36	\$4,106.00
HL183/240D	Three Phase 18kW, 240V Commercial Heater	36	\$4,106.00
HL183/380D	Three Phase 18kW, 380V Commercial Heater	36	\$4,296.00
HL183/400D	Three Phase 18kW, 400V Commercial Heater	36	\$4,296.00
HL183/415D	Three Phase 18kW, 415V Commercial Heater	36	\$4,296.00
HL183/480D	Three Phase 18kW, 480V Commercial Heater	36	\$4,296.00
<b>25kW Commercial Heaters</b>			
HL253/380D*	Three Phase 25kW, 380V Commercial Heater	36	\$7,107.00
HL253/400D*	Three Phase 25kW, 400V Commercial Heater	36	\$7,107.00
HL253/415D*	Three Phase 25kW, 415V Commercial Heater	36	\$7,107.00
HL253/480D*	Three Phase 25kW, 480V Commercial Heater	36	\$6,833.00

\* Standard NEMA 4 Enclosure

Only 480V heaters can be down rated to 380, 400, and 415 volts.

### Cabinet Options

Classification	Description	List Price
N1	NEMA-1 Enclosure (Standard)	\$0.00
N4	NEMA-4 Enclosure	\$890.00
N4X	NEMA-4X Enclosure Stainless Steel	\$2,155.00

### Product Options

Classification	Description	List Price
D1**	4-20mA Input for Integration with Facility Controls	\$647.00
DC**	RS-485 Modbus RTU	\$547.00
AL	Process Temperature Alarm	\$137.00
IC	Temperature Lock Out at _____°F (40-160°F) or _____°C (5-71°C)	\$171.00
L15	Low Flow .15 GPM Turn On Point	\$122.00
L25	Low Flow .25 GPM Turn On Point	\$122.00
T190	High Temperature Package (Select for Temp Greater than 180°F)	\$171.00
T180	High Temperature Package (Select for Temp Greater than 170°F)	\$171.00
T170	High Temperature Package (Select for Temp Greater than 160°F)	\$171.00
TE2	Xylan Fluoropolymeric Coated Heat Exchanger with Bright Annealed Stainless Steel Elements, FDA Approved for Food Contact (Use in deionized water applications)	\$4,980.00

### Installation Accessories

Classification	Description	List Price
BSPP**	Stainless Steel Thread Adapter, Converts NPT to BSPP	\$430.00
PR	ASME Pressure and Temperature Relief Valve	\$70.00
PRS	ASME Pressure Relief Valve, Stainless Steel	\$4,226.00
YS	Y-Strainer	\$136.00
YSS	Y-Strainer, Stainless Steel	\$386.00

\*\*Requires N4 or N4X Enclosure.

Do not include Installation Accessories in Model Number Configuration.



TEL: 1-800-999-4320  
Web site: www.bradleycorp.com

CONFIDENTIAL

Effective Date February 1, 2024

## C1N Series - Light Industrial Heaters

Model	Description	Ship Wt. (lbs)	List Price
<b>18kW Light Industrial Heaters</b>			
C1N183/380D	Three Phase 18kW, 380V Light Industrial Heater	155	\$8,994.00
C1N183/400D	Three Phase 18kW, 400V Light Industrial Heater	155	\$8,994.00
C1N183/415D	Three Phase 18kW, 415V Light Industrial Heater	155	\$8,994.00
C1N183/480D	Three Phase 18kW, 480V Light Industrial Heater	155	\$8,994.00
C1N183/600D	Three Phase 18kW, 600V Light Industrial Heater	155	\$9,225.00
<b>25kW Light Industrial Heaters</b>			
C1N253/380D	Three Phase 25kW, 380V Light Industrial Heater	170	\$9,384.00
C1N253/400D	Three Phase 25kW, 400V Light Industrial Heater	170	\$9,384.00
C1N253/415D	Three Phase 25kW, 415V Light Industrial Heater	170	\$9,384.00
C1N253/480D	Three Phase 25kW, 480V Light Industrial Heater	170	\$9,384.00
C1N253/600D	Three Phase 25kW, 600V Light Industrial Heater	170	\$9,606.00

### Cabinet Options

Classification	Description	List Price
N4	NEMA-4 Enclosure (Standard)	\$0.00
N4X	NEMA-4X Enclosure Stainless Steel	\$3,447.00
N4X316	NEMA-4X Enclosure 316 Stainless Steel	\$9,542.00

### Product Options

Classification	Description	List Price
D1	4-20mA Input for Integration with Facility Controls	\$647.00
DC	RS-485 Modbus RTU	\$958.00
AL	Process Temperature Alarm	\$359.00
IC	Temperature Lock Out at _____°F (40-160°F) or _____°C (5-71°C)	\$239.00
EXP2	Explosion Proof Class1/Division2 to -4°F(-20°C)	\$3,510.00
FDS	Internal Fused Disconnect	\$1,087.00
GF	Ground Fault Package	\$1,041.00
L25	Low Flow .25 GPM Turn On Point	\$896.00
L5	Low Flow .5 GPM Turn On Point	\$896.00
LK*	Leg Kit Converts Standard Wall-Mount to Floor-Mount	\$849.00
T200	High Temperature Package (Select for Temp Greater than 190°F)	\$359.00
T190	High Temperature Package (Select for Temp Greater than 180°F)	\$359.00
T180	High Temperature Package (Select for Temp Greater than 170°F)	\$359.00
T170	High Temperature Package (Select for Temp Greater than 160°F)	\$359.00
TE	PFA Teflon® Coated Heat Exchanger with Bright Annealed Stainless Steel Elements, FDA Approved (Use for deionized water or mild corrosive fluid applications)	\$7,542.00
TE2	Xylan Fluoropolymeric Coated Heat Exchanger with Bright Annealed Stainless Steel Elements, FDA Approved for Food Contact (Use in deionized water applications)	\$5,975.00

Teflon™ is a trademark of The Chemours Company FC, LLC.

\*LK not available with EXP2.

### Installation Accessories

Classification	Description	List Price
BSPP	Stainless Steel Thread Adapter, Converts NPT to BSPP	\$430.00
PR	ASME Pressure and Temperature Relief Valve	\$70.00
PRS	ASME Pressure Relief Valve, Stainless Steel	\$4,226.00
YS	Y-Strainer	\$136.00
YSS	Y-Strainer, Stainless Steel	\$386.00

Do not include Installation Accessories in Model Number Configuration.

Prices subject to change without notice.  
Items may be changed or discontinued  
without notice and without incurring obligation.



TEL: 1-800-999-4320  
Web site: www.bradleycorp.com

CONFIDENTIAL

Effective Date February 1, 2024

## C2N Series - Light Industrial Heaters

Model	Description	Ship Wt. (lbs)	List Price
<b>36kW Light Industrial Heaters</b>			
C2N363/208D	Three Phase, 36kW, 208V Light Industrial Heater	185	\$12,301.00
C2N363/380D	Three Phase 36kW, 380V Light Industrial Heater	185	\$11,714.00
C2N363/400D	Three Phase 36kW, 400V Light Industrial Heater	185	\$11,714.00
C2N363/415D	Three Phase 36kW, 415V Light Industrial Heater	185	\$11,714.00
C2N363/480D	Three Phase 36kW, 480V Light Industrial Heater	185	\$11,714.00
C2N363/600D	Three Phase 36kW, 600V Light Industrial Heater	185	\$11,919.00
<b>50kW Light Industrial Heaters</b>			
C2N503/380D	Three Phase 50kW, 380V Light Industrial Heater	205	\$12,173.00
C2N503/400D	Three Phase 50kW, 400V Light Industrial Heater	205	\$12,173.00
C2N503/415D	Three Phase 50kW, 415V Light Industrial Heater	205	\$12,173.00
C2N503/480D	Three Phase 50kW, 480V Light Industrial Heater	205	\$12,173.00
C2N503/600D	Three Phase 50kW, 600V Light Industrial Heater	205	\$12,390.00

### Cabinet Options

Classification	Description	List Price
N4	NEMA-4 Enclosure (Standard)	\$0.00
N4X	NEMA-4X Enclosure Stainless Steel	\$3,447.00
N4X316	NEMA-4X Enclosure 316 Stainless Steel	\$9,542.00

### Product Options

Classification	Description	List Price
D1	4-20mA Input for Integration with Facility Controls	\$647.00
DC	RS-485 Modbus RTU	\$958.00
AL	Process Temperature Alarm	\$359.00
IC	Temperature Lock Out at _____ °F (40-160°F) or _____ °C (5-71°C)	\$239.00
EXP2	Explosion Proof Class 1/Division 2	\$3,510.00
FDS	Internal Fused Disconnect	\$1,286.00
GF	Ground Fault Package	\$1,041.00
L5	Low Flow .5 GPM (1.9 LPM) Turn On Point	\$896.00
LK*	Leg Kit Converts Standard Wall-Mount to Floor-Mount	\$849.00
T200	High Temperature Package (Select for Temp Greater than 190°F)	\$359.00
T190	High Temperature Package (Select for temp greater than 180°F)	\$359.00
T180	High Temperature Package (Select for Temp Greater than 170°F)	\$359.00
T170	High Temperature Package (Select for Temp Greater than 160°F)	\$359.00
TE	PFA Teflon® Coated Heat Exchanger with Bright Annealed Stainless Steel Elements, FDA Approved (Use for deionized water or mild corrosive fluid applications)	\$8,547.00
TE2	Xylan Fluoropolymeric Coated Heat Exchanger with Bright Annealed Stainless Steel Elements, FDA Approved for Food Contact (Use in deionized water applications)	\$6,971.00

Teflon™ is a trademark of The Chemours Company FC, LLC.

\*LK not available with EXP2.

### Installation Accessories

Classification	Description	List Price
BSPP	Stainless Steel Thread Adapter, Converts NPT to BSPP	\$430.00
PR	ASME Pressure and Temperature Relief Valve	\$70.00
PRS	ASME Pressure Relief Valve, Stainless Steel	\$4,226.00
YS	Y-Strainer	\$136.00
YSS	Y-Strainer, Stainless Steel	\$386.00

Do not include Installation Accessories in Model Number Configuration.



TEL: 1-800-999-4320  
 Web site: www.bradleycorp.com

CONFIDENTIAL

Effective Date February 1, 2024

## CNA Series - Large Industrial Heaters

Model	Description	Ship Wt. (lbs)	List Price
<b>36kW Large Industrial Heaters</b>			
CNA-363/380D	Three Phase 36kW, 380V Large Industrial Heater	420	\$21,809.00
CNA-363/400D	Three Phase 36kW, 400V Large Industrial Heater	420	\$21,809.00
CNA-363/415D	Three Phase 36kW, 415V Large Industrial Heater	420	\$21,809.00
CNA-363/480D	Three Phase 36kW, 480V Large Industrial Heater	420	\$21,809.00
CNA-363/600D	Three Phase 36kW, 600V Large Industrial Heater	420	\$22,073.00
<b>54kW Large Industrial Heaters</b>			
CNA-543/380D	Three Phase 54kW, 380V Large Industrial Heater	420	\$21,942.00
CNA-543/400D	Three Phase 54kW, 400V Large Industrial Heater	420	\$21,942.00
CNA-543/415D	Three Phase 54kW, 415V Large Industrial Heater	420	\$21,942.00
CNA-543/480D	Three Phase 54kW, 480V Large Industrial Heater	420	\$21,942.00
CNA-543/600D	Three Phase 54kW, 600V Large Industrial Heater	420	\$22,206.00
<b>63kW Large Industrial Heaters</b>			
CNA-633/380D	Three Phase 63kW, 380V Large Industrial Heater	465	\$22,070.00
CNA-633/400D	Three Phase 63kW, 400V Large Industrial Heater	465	\$22,070.00
CNA-633/415D	Three Phase 63kW, 415V Large Industrial Heater	465	\$22,070.00
CNA-633/480D	Three Phase 63kW, 480V Large Industrial Heater	465	\$22,070.00
CNA-633/600D	Three Phase 63kW, 600V Large Industrial Heater	465	\$22,333.00
<b>72kW Large Industrial Heaters</b>			
CNA-723/380D	Three Phase 72kW, 380V Large Industrial Heater	495	\$24,052.00
CNA-723/400D	Three Phase 72kW, 400V Large Industrial Heater	495	\$24,052.00
CNA-723/415D	Three Phase 72kW, 415V Large Industrial Heater	495	\$24,052.00
CNA-723/480D	Three Phase 72kW, 480V Large Industrial Heater	495	\$24,052.00
CNA-723/600D	Three Phase 72kW, 600V Large Industrial Heater	495	\$24,187.00
<b>108kW Large Industrial Heaters</b>			
CNA-1083/380D	Three Phase 108kW, 380V Large Industrial Heater	495	\$24,344.00
CNA-1083/400D	Three Phase 108kW, 400V Large Industrial Heater	495	\$24,344.00
CNA-1083/415D	Three Phase 108kW, 415V Large Industrial Heater	495	\$24,344.00
CNA-1083/480D	Three Phase 108kW, 480V Large Industrial Heater	495	\$24,344.00
CNA-1083/600D	Three Phase 108kW, 600V Large Industrial Heater	495	\$24,451.00
<b>126kW Large Industrial Heaters</b>			
CNA-1263/380D	Three Phase 126kW, 380V Large Industrial Heater	545	\$24,609.00
CNA-1263/400D	Three Phase 126kW, 400V Large Industrial Heater	545	\$24,609.00
CNA-1263/415D	Three Phase 126kW, 415V Large Industrial Heater	545	\$24,609.00
CNA-1263/480D	Three Phase 126kW, 480V Large Industrial Heater	545	\$24,609.00
CNA-1263/600D	Three Phase 126kW, 600V Large Industrial Heater	545	\$25,138.00
<b>144kW Large Industrial Heaters</b>			
CNA-1443/380D	Three Phase 144kW, 380V Large Industrial Heater	545	\$24,609.00
CNA-1443/400D	Three Phase 144kW, 400V Large Industrial Heater	545	\$24,609.00
CNA-1443/415D	Three Phase 144kW, 415V Large Industrial Heater	545	\$24,609.00
CNA-1443/480D	Three Phase 144kW, 480V Large Industrial Heater	545	\$24,609.00
CNA-1443/600D	Three Phase 144kW, 600V Large Industrial Heater	545	\$25,138.00

Only 480V heaters can be down rated to 380, 400, and 415 volts.

**\*For product options and installation accessories, see next page**



TEL: 1-800-999-4320  
Web site: www.bradleycorp.com

CONFIDENTIAL

Effective Date February 1, 2024

## CNA Series - Large Industrial Heaters Product Options

### Cabinet Options

Classification	Description	List Price
N4	NEMA-4 Enclosure (Standard)	\$0.00
N4X	NEMA-4X Enclosure Stainless Steel	\$6,582.00
N4X316	NEMA-4X Enclosure 316 Stainless Steel	\$10,843.00

### Product Options

Classification	Description	List Price
D1	4-20mA Input for Integration with Facility Controls	\$647.00
DC	RS-485 Modbus RTU	\$958.00
AL	Process Temperature Alarm	\$359.00
ENHT	Freeze Protection -20 °F	\$3,330.00
ENHT30	Freeze Protection -30 °F	\$4,440.00
EXP2CFPM	Continuous Flow Explosion Proof Class 1/Division2	\$3,868.00
FDS*	Internal Fused Disconnect	\$1,914.00
GF	Ground Fault Package	\$1,343.00
HLW	ASME Heat Exchanger with Level Sensor (63kW and Higher Only)	\$4,101.00
LS	Level Sensor (included with HLW option)	\$342.00
T200	High Temperature Package (Select for Temp Greater than 190°F)	\$410.00
T190	High Temperature Package (Select for temp greater than 180°F)	\$410.00
T180	High Temperature Package (Select for temp greater than 170°F)	\$410.00
T170	High Temperature Package (Select for temp greater than 160°F)	\$410.00
TE	PFA Teflon ® Coated Heat Exchanger with Bright Annealed Stainless Steel Elements, FDA Approved (Use for deionized water or mild corrosive fluid applications)	\$10,016.00
TE2**	Xylan Fluoropolymeric Coated Heat Exchanger with Bright Annealed Stainless Steel Elements, FDA Approved for Food Contact (Use in deionized water applications)	\$8,216.00
RES	Remote Emergency Stop	\$684.00

Teflon™ is a trademark of The Chemours Company FC, LLC.

\* Not available with CNA-723/600D.

\*\* TE2 not available with HLW.

### Installation Accessories

Classification	Description	List Price
BSPP	Stainless Steel Thread Adapter, Converts NPT to BSPP	\$814.00
PR	1" ASME Pressure and Temperature Relief Valve	\$267.00
PRS	1" ASME Pressure Relief Valve, Stainless Steel	\$4,467.00
YS	1-1/4" Y-Strainer	\$384.00
YSS	1-1/4" Y-Strainer, Stainless Steel	\$778.00

Include Installation Accessories below Model Number Configuration.





TEL: 1-800-999-4320  
Web site: www.bradleycorp.com

CONFIDENTIAL

Effective Date February 1, 2024

**SNA Series - Safety Shower and Combination Unit Heaters**

Model	Description	Ship Wt. (lbs)	List Price
<b>36kW Safety Shower Heaters</b>			
SNA-363/380D	Three Phase 36kW, 380V Large Industrial Heater	445	\$24,095.00
SNA-363/400D	Three Phase 36kW, 400V Large Industrial Heater	445	\$24,095.00
SNA-363/415D	Three Phase 36kW, 415V Large Industrial Heater	445	\$24,095.00
SNA-363/480D	Three Phase 36kW, 480V Safety Shower Heater	445	\$24,095.00
SNA-363/600D	Three Phase 36kW, 600V Safety Shower Heater	445	\$24,699.00
<b>54kW Safety Shower Heaters</b>			
SNA-543/380D	Three Phase 54kW, 380V Large Industrial Heater	445	\$24,226.00
SNA-543/400D	Three Phase 54kW, 400V Large Industrial Heater	445	\$24,226.00
SNA-543/415D	Three Phase 54kW, 415V Large Industrial Heater	445	\$24,226.00
SNA-543/480D	Three Phase 54kW, 480V Safety Shower Heater	445	\$24,226.00
SNA-543/600D	Three Phase 54kW, 600V Safety Shower Heater	445	\$24,866.00
<b>63kW Safety Shower Heaters</b>			
SNA-633/380D	Three Phase 63kW, 380V Large Industrial Heater	495	\$24,499.00
SNA-633/400D	Three Phase 63kW, 400V Large Industrial Heater	495	\$24,499.00
SNA-633/415D	Three Phase 63kW, 415V Large Industrial Heater	495	\$24,499.00
SNA-633/480D	Three Phase 63kW, 480V Safety Shower Heater	495	\$24,499.00
SNA-633/600D	Three Phase 63kW, 600V Safety Shower Heater	495	\$24,958.00
<b>72kW Safety Shower Heaters</b>			
SNA-723/380D	Three Phase 72kW, 380V Large Industrial Heater	535	\$27,726.00
SNA-723/400D	Three Phase 72kW, 400V Large Industrial Heater	535	\$27,726.00
SNA-723/415D	Three Phase 72kW, 415V Large Industrial Heater	535	\$27,726.00
SNA-723/480D	Three Phase 72kW, 480V Safety Shower Heater	535	\$27,726.00
SNA-723/600D	Three Phase 72kW, 600V Safety Shower Heater	535	\$28,367.00
<b>108kW Safety Shower Heaters</b>			
SNA-1083/380D	Three Phase 108kW, 380V Large Industrial Heater	535	\$27,987.00
SNA-1083/400D	Three Phase 108kW, 400V Large Industrial Heater	535	\$27,987.00
SNA-1083/415D	Three Phase 108kW, 415V Large Industrial Heater	535	\$27,987.00
SNA-1083/480D	Three Phase 108kW, 480V Safety Shower Heater	535	\$27,987.00
SNA-1083/600D	Three Phase 108kW, 600V Safety Shower Heater	535	\$28,630.00
<b>126kW Safety Shower Heaters</b>			
SNA-1263/380D	Three Phase 126kW, 380V Large Industrial Heater	550	\$28,367.00
SNA-1263/400D	Three Phase 126kW, 400V Large Industrial Heater	550	\$28,367.00
SNA-1263/415D	Three Phase 126kW, 415V Large Industrial Heater	550	\$28,367.00
SNA-1263/480D	Three Phase 126kW, 480V Safety Shower Heater	550	\$28,367.00
SNA-1263/600D	Three Phase 126kW, 600V Safety Shower Heater	550	\$29,087.00
<b>144kW Safety Shower Heaters</b>			
SNA-1443/380D	Three Phase 144kW, 380V Large Industrial Heater	560	\$28,771.00
SNA-1443/400D	Three Phase 144kW, 400V Large Industrial Heater	560	\$28,771.00
SNA-1443/415D	Three Phase 144kW, 415V Large Industrial Heater	560	\$28,771.00
SNA-1443/480D	Three Phase 144kW, 480V Safety Shower Heater	560	\$28,771.00
SNA-1443/600D	Three Phase 144kW, 600V Safety Shower Heater	560	\$29,529.00

Only 480V heaters can be down rated to 380, 400, and 415 volts.

**\*For product options and installation accessories, see next page**



TEL: 1-800-999-4320  
 Web site: www.bradleycorp.com

CONFIDENTIAL

Effective Date February 1, 2024

**SNA Series - Safety Shower and Combination Unit Heaters Product Options**

**Cabinet Options**

Classification	Description	List Price
N4	NEMA-4 Enclosure (Standard)	\$0.00
N4X	NEMA-4X Enclosure Stainless Steel	\$6,582.00
N4X316	NEMA-4X Enclosure 316 Stainless Steel	\$10,843.00

**Product Options**

Classification	Description	List Price
AL3	Distributed Control System Link	\$1,005.00
AL3-SL	Stack Light with Distributed Control System Link	\$1,366.00
ENHT	Freeze Protection -20°F	\$3,330.00
ENHT30	Freeze Protection -30°F	\$4,440.00
EXP2CFPM	Continuous Flow Explosion Proof Class1/Division2	\$3,868.00
FDS*	Internal Fused Disconnect	\$1,914.00
GF	Ground Fault Package	\$1,343.00
HLW	ASME Heat Exchanger with Level Sensor (63KW and Higher Only)	\$3,997.00
RES	Remote Emergency Stop	\$684.00

\* Not available with SNA-723/600D.

**Installation Accessories**

Classification	Description	List Price
BSPP	Stainless Steel Thread Adapter, Converts NPT to BSPP	\$1,186.00
PR	1" ASME Pressure and Temperature Relief Valve	\$267.00
PRS	1" ASME Pressure Relief Valve, Stainless Steel	\$4,467.00
YS	1-1/4" Y-Strainer	\$384.00
YSS	1-1/4" Y-Strainer, Stainless Steel	\$778.00

Include Installation Accessories below Model Number Configuration.



TEL: 1-800-999-4320  
Web site: www.bradleycorp.com

CONFIDENTIAL

Effective Date February 1, 2024

## CLE Series - Eyewash Heaters

Model	Description	Ship Wt. (lbs)	List Price
<b>18kW Eyewash Heaters</b>			
CLE183/380D	Three Phase 18kW, 380V Eyewash Heater	155	\$9,444.00
CLE183/400D	Three Phase 18kW, 400V Eyewash Heater	155	\$9,444.00
CLE183/415D	Three Phase 18kW, 415V Eyewash Heater	155	\$9,444.00
CLE183/480D	Three Phase 18kW, 480V Eyewash Heater	155	\$9,444.00
CLE183/600D	Three Phase 18kW, 600V Eyewash Heater	155	\$9,686.00
<b>25kW Eyewash Heaters</b>			
CLE253/380D	Three Phase 25kW, 380V Eyewash Heater	170	\$9,853.00
CLE253/400D	Three Phase 25kW, 400V Eyewash Heater	170	\$9,853.00
CLE253/415D	Three Phase 25kW, 415V Eyewash Heater	170	\$9,853.00
CLE253/480D	Three Phase 25kW, 480V Eyewash Heater	170	\$9,853.00
CLE253/600D	Three Phase 25kW, 600V Eyewash Heater	170	\$9,991.00

Only 480V heaters can be down rated to 380, 400, and 415 volts.

### Cabinet Options

Classification	Description	List Price
N4	NEMA-4 Enclosure (Standard)	\$0.00
N4X	NEMA-4X Enclosure Stainless Steel	\$3,447.00
N4X316	NEMA-4X Enclosure 316 Stainless Steel	\$9,542.00

### Product Options

Classification	Description	List Price
AL3	Distributed Control System Link	\$1,005.00
AL3-SL	Stack Light with Distributed Control System Link	\$1,366.00
ENHT	Freeze Protection -20°F	\$2,131.00
EXP2	Explosion Proof Class1/Division2 to -4°F(-20°C)	\$3,868.00
FDS	Internal Fused Disconnect	\$1,087.00
GF	Ground Fault Package	\$1,041.00
LK*	Leg Kit Converts Standard Wall-Mount to Floor-Mount	\$849.00

\*LK not available with EXP2.

### Installation Accessories

Classification	Description	List Price
BSPP	Stainless Steel Thread Adapter, Converts NPT to BSPP	\$430.00
PR	ASME Pressure and Temperature Relief Valve	\$70.00
PRS	ASME Pressure Relief Valve, Stainless Steel	\$4,226.00
YS	Y-Strainer	\$136.00
YSS	Y-Strainer, Stainless Steel	\$386.00

Do not include Installation Accessories in Model Number Configuration.



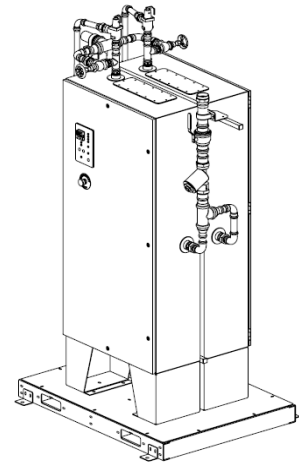
TEL: 1-800-999-4320  
Web site: www.bradleycorp.com

CONFIDENTIAL

Effective Date February 1, 2024

## CNA-SKID Series - Pre-Assembled Industrial Water Heater Skid

Model	Description	Ship Wt. (lbs)	List Price
CNA-SKID	CNA Heater, CNAR Heater, and SKID1 (skid with pre-piped assemblies, inlet y-strainer, and outlet pressure & temperature relief valve)	1150	\$67,796.00



CNA-SKID

### Standard Selection (Select one)

Model	Description	List Price
<b>108kW Large Industrial Heaters</b>		
1083/380D	Three Phase 108kW, 380V Large Industrial Heater	N/C
1083/400D	Three Phase 108kW, 400V Large Industrial Heater	N/C
1083/415D	Three Phase 108kW, 415V Large Industrial Heater	N/C
1083/480D	Three Phase 108kW, 480V Large Industrial Heater	N/C
1083/600D	Three Phase 108kW, 600V Large Industrial Heater	\$228.00
<b>126kW Large Industrial Heaters</b>		
1263/380D	Three Phase 126kW, 380V Large Industrial Heater	\$554.00
1263/400D	Three Phase 126kW, 400V Large Industrial Heater	\$554.00
1263/415D	Three Phase 126kW, 415V Large Industrial Heater	\$554.00
1263/480D	Three Phase 126kW, 480V Large Industrial Heater	\$554.00
1263/600D	Three Phase 126kW, 600V Large Industrial Heater	\$1,666.00
<b>144kW Large Industrial Heaters</b>		
1443/380D	Three Phase 144kW, 380V Large Industrial Heater	\$554.00
1443/400D	Three Phase 144kW, 400V Large Industrial Heater	\$554.00
1443/415D	Three Phase 144kW, 415V Large Industrial Heater	\$554.00
1443/480D	Three Phase 144kW, 480V Large Industrial Heater	\$554.00
1443/600D	Three Phase 144kW, 600V Large Industrial Heater	\$1,666.00

Only 480V heaters can be down rated to 380, 400, and 415 volts.

### Cabinet Options

Classification	Description	List Price
N4	NEMA-4 Enclosure (Standard)	\$0.00
N4X	NEMA-4X Enclosure Stainless Steel	\$13,161.00
N4X316	NEMA-4X Enclosure 316 Stainless Steel	\$21,685.00

### Product Options

Classification	Description	List Price
D1	4-20mA Input for Integration with Facility Controls	\$1,294.00
DC	RS-485 Modbus RTU	\$1,916.00
AL	Process Temperature Alarm	\$720.00
ENHT	Freeze Protection -20 °F	\$6,660.00
ENHT30	Freeze Protection -30 °F	\$8,880.00
EXP2CFPM	Continuous Flow Explosion Proof Class1/Division2	\$7,735.00
FDS	Internal Fused Disconnect	\$3,829.00
GF	Ground Fault Package	\$2,687.00
HLW	ASME Heat Exchanger with Level Sensor (63kW and Higher Only)	\$8,203.00
T200	High Temperature Package (Select for temp greater than 190°F)	\$822.00
T190	High Temperature Package (Select for temp greater than 180°F)	\$822.00
T180	High Temperature Package (Select for temp greater than 170°F)	\$822.00
T170	High Temperature Package (Select for temp greater than 160°F)	\$822.00
TE	PFA Teflon® Coated Heat Exchanger with Bright Annealed Stainless Steel Elements, FDA Approved (Use for deionized water or mild corrosive fluid applications)	\$20,031.00
TE2**	Xylan Fluoropolymeric Coated Heat Exchanger with Bright Annealed Stainless Steel Elements, FDA Approved for Food Contact (Use in deionized water applications)	\$16,435.00

Teflon™ is a trademark of The Chemours Company FC, LLC.

\*\* TE2 not available with HLW.

### Installation Accessories

Classification	Description	List Price
BSPP	Stainless Steel Thread Adapter, Converts NPT to BSPP	\$814.00
PRS	1" ASME Pressure Relief Valve, Stainless Steel	\$8,935.00
YSS	2" Y-Strainer, Stainless Steel	\$393.00

Include Installation Accessories below Model Number Configuration.

Prices subject to change without notice.  
Items may be changed or discontinued  
without notice and without incurring obligation.



TEL: 1-800-999-4320  
Web site: www.bradleycorp.com

CONFIDENTIAL

Effective Date February 1, 2024

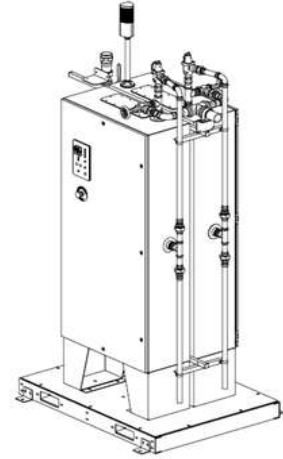
**SNA-SKID Series - Pre-Assembled Emergency Water Tempering Skid**

Model	Description	Ship Wt. (lbs)	List Price
SNA-SKID	SNA Heater, SNAR Heater, and SKID1 (skid with pre-piped assemblies, inlet y-strainer, and outlet pressure & temperature relief valve)	1200	\$78,330.00

**Standard Selection (Select one)**

Model	Description	List Price
<b>108kW Large Industrial Heaters</b>		
1083/380D	Three Phase 108kW, 380V Large Industrial Heater	N/C
1083/400D	Three Phase 108kW, 400V Large Industrial Heater	N/C
1083/415D	Three Phase 108kW, 415V Large Industrial Heater	N/C
1083/480D	Three Phase 108kW, 480V Safety Shower Heater	N/C
1083/600D	Three Phase 108kW, 600V Safety Shower Heater	\$1,349.00
<b>126kW Large Industrial Heaters</b>		
1263/380D	Three Phase 126kW, 380V Large Industrial Heater	\$801.00
1263/400D	Three Phase 126kW, 400V Large Industrial Heater	\$801.00
1263/415D	Three Phase 126kW, 415V Large Industrial Heater	\$801.00
1263/480D	Three Phase 126kW, 480V Safety Shower Heater	\$801.00
1263/600D	Three Phase 126kW, 600V Safety Shower Heater	\$2,310.00
<b>144kW Large Industrial Heaters</b>		
1443/380D	Three Phase 144kW, 380V Large Industrial Heater	\$1,647.00
1443/400D	Three Phase 144kW, 400V Large Industrial Heater	\$1,647.00
1443/415D	Three Phase 144kW, 415V Large Industrial Heater	\$1,647.00
1443/480D	Three Phase 144kW, 480V Safety Shower Heater	\$1,647.00
1443/600D	Three Phase 144kW, 600V Safety Shower Heater	\$3,237.00

Only 480V heaters can be down rated to 380, 400, and 415 volts.



SNA-SKID shown with optional stack light

**Cabinet Options**

Classification	Description	List Price
N4	NEMA-4 Enclosure (Standard)	\$0.00
N4X	NEMA-4X Enclosure Stainless Steel	\$13,161.00
N4X316	NEMA-4X Enclosure 316 Stainless Steel	\$21,685.00

**Product Options**

Classification	Description	List Price
AL3-SL	Stack Light with Distributed Control System Link	\$726.00
ENHT	Freeze Protection -20°F	\$6,660.00
ENHT30	Freeze Protection -30°F	\$8,880.00
EXP2CFPM	Continuous Flow Explosion Proof Class1/Division2	\$7,735.00
FDS	Internal Fused Disconnect	\$3,829.00
GF	Ground Fault Package	\$2,687.00
HLW	ASME Heat Exchanger with Level Sensor (63KW and Higher Only)	\$7,996.00

**Installation Accessories**

Classification	Description	List Price
BSPP	Stainless Steel Thread Adapter, Converts NPT to BSPP	\$1,186.00
PRS	1" ASME Pressure Relief Valve, Stainless Steel	\$8,935.00
YSS	2" Y-Strainer, Stainless Steel	\$393.00

Include Installation Accessories below Model Number Configuration.

Prices subject to change without notice.  
Items may be changed or discontinued  
without notice and without incurring obligation.



TEL: 1-800-999-4320  
Web site: www.bradleycorp.com

CONFIDENTIAL

Effective Date February 1, 2024

**S19361 - Pre-Assembled Safety Shower Heater Skid**

Model	Description	Ship Wt. (lbs)	List Price
S19361	Keltech heater and Bradley safety fixture skid (select safety fixture model below)	1300	\$36,965.00

**Heater Standard Selections**

Skid Assembly (must select):		List Price
SKID2	Galvanized Steel Skid, Powder Coated "Safety Yellow"	N/C
Heater kW and Voltage (must select one):		
54kW Safety Shower Heaters		
SNA-543/380D	Three Phase 54kW, 380V Safety Shower Heater	N/C
SNA-543/400D	Three Phase 54kW, 400V Safety Shower Heater	N/C
SNA-543/415D	Three Phase 54kW, 415V Safety Shower Heater	N/C
SNA-543/480D	Three Phase 54kW, 480V Safety Shower Heater	N/C
SNA-543/600D	Three Phase 54kW, 600V Safety Shower Heater	\$671.00
63kW Safety Shower Heaters		
SNA-633/380D	Three Phase 63kW, 380V Safety Shower Heater	\$284.00
SNA-633/400D	Three Phase 63kW, 400V Safety Shower Heater	\$284.00
SNA-633/415D	Three Phase 63kW, 415V Safety Shower Heater	\$284.00
SNA-633/480D	Three Phase 63kW, 480V Safety Shower Heater	\$284.00
SNA-633/600D	Three Phase 63kW, 600V Safety Shower Heater	\$767.00
72kW Safety Shower Heaters		
SNA-723/380D	Three Phase 72kW, 380V Safety Shower Heater	\$3,674.00
SNA-723/400D	Three Phase 72kW, 400V Safety Shower Heater	\$3,674.00
SNA-723/415D	Three Phase 72kW, 415V Safety Shower Heater	\$3,674.00
SNA-723/480D	Three Phase 72kW, 480V Safety Shower Heater	\$3,674.00
SNA-723/600D	Three Phase 72kW, 600V Safety Shower Heater	\$4,349.00
108kW Safety Shower Heaters		
SNA-1083/380D	Three Phase 108kW, 380V Safety Shower Heater	\$3,949.00
SNA-1083/400D	Three Phase 108kW, 400V Safety Shower Heater	\$3,949.00
SNA-1083/415D	Three Phase 108kW, 415V Safety Shower Heater	\$3,949.00
SNA-1083/480D	Three Phase 108kW, 480V Safety Shower Heater	\$3,949.00
SNA-1083/600D	Three Phase 108kW, 600V Safety Shower Heater	\$4,623.00
126kW Safety Shower Heaters		
SNA-1263/380D	Three Phase 126kW, 380V Safety Shower Heater	\$4,349.00
SNA-1263/400D	Three Phase 126kW, 400V Safety Shower Heater	\$4,349.00
SNA-1263/415D	Three Phase 126kW, 415V Safety Shower Heater	\$4,349.00
SNA-1263/480D	Three Phase 126kW, 480V Safety Shower Heater	\$4,349.00
SNA-1263/600D	Three Phase 126kW, 600V Safety Shower Heater	\$5,107.00
144kW Safety Shower Heaters		
SNA-1443/380D	Three Phase 144kW, 380V Safety Shower Heater	\$4,773.00
SNA-1443/400D	Three Phase 144kW, 400V Safety Shower Heater	\$4,773.00
SNA-1443/415D	Three Phase 144kW, 415V Safety Shower Heater	\$4,773.00
SNA-1443/480D	Three Phase 144kW, 480V Safety Shower Heater	\$4,773.00
SNA-1443/600D	Three Phase 144kW, 600V Safety Shower Heater	\$5,573.00
Shower Piping Option (must select one):		
MTL	Multiple showers fed by heater (tee fitting)	\$147.00
SGL	Single shower fed by heater (elbow fitting)	N/C

Only 480V heaters can be down rated to 380, 400, and 415 volts.

**Cabinet Options**

Classification	Description	List Price
N4	NEMA-4 Enclosure (Standard)	\$0.00
N4X	NEMA-4X Enclosure Stainless Steel	\$6,582.00
N4X316	NEMA-4X Enclosure 316 Stainless Steel	\$10,843.00

**Heater Product Options**

Classification	Description	List Price
AL3-SL	Stack Light with Distributed Control System Link	\$359.00
EXP2CFPM	Continuous Flow Explosion Proof Class1/Division2	\$3,868.00
FDS*	Internal Fused Disconnect	\$1,914.00
GF	Ground Fault Package	\$1,343.00
HLW	ASME Heat Exchanger with Level Sensor (63KW and Higher Only)	\$3,997.00

\* Not available with SNA-723/600D.

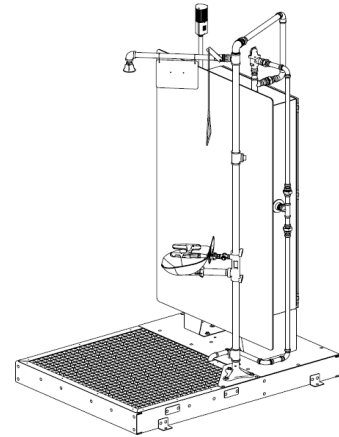
**Halo Combination Safety Fixture Selection (must select one):**

Classification	Description	List Price
GG	S19314GG - Halo Eye/Face Wash; Plastic Showerhead, no Bowl	N/C
FW	S19314FW - Halo Eye/Face Wash; Plastic Showerhead & Bowl	\$63.00
PDCFW	S19314PDCFW - Halo Eye/Face Wash; Plastic Showerhead & Bowl w/Dust Cover	\$244.00
FSS	S19314FSS - Halo Stainless Steel Eye/Face Wash & Showerhead	\$2,981.00
SC	S19314SC - Halo Stainless Steel Eye/Face Wash, Bowl, Hinged Dust Cover & Showerhead	\$3,346.00

**Heater Installation Accessories**

Classification	Description	List Price
BSPP	Stainless Steel Thread Adapter, Converts NPT to BSPP	\$1,186.00
PRS	1" ASME Pressure Relief Valve, Stainless Steel	\$4,467.00
YS	1-1/4" Y-Strainer	\$384.00
YSS	1-1/4" Y-Strainer, Stainless Steel	\$778.00

Include Installation Accessories below Model Number Configuration.



S19361 shown with optional stack light

Prices subject to change without notice.  
Items may be changed or discontinued  
without notice and without incurring obligation.



TEL: 1-800-999-4320  
Web site: www.bradleycorp.com

CONFIDENTIAL Effective Date February 1, 2024

**S19361HF - Pre-Assembled Freeze Protected Halo Safety Shower Heater Skid**

Model	Description	Ship Wt. (lbs)	List Price
S19361HF	Freeze Protected Keltech heater and Bradley Halo safety fixture skid (select safety fixture model below)	1500	\$50,721.00

**Heater Standard Selections**

SKID2	Description	List Price
SKID2	Galvanized Steel Skid, Powder Coated "Safety Yellow" (includes freeze protected insulation and piping)	N/C
<b>Heater kW and Voltage (must select one):</b>		
<b>54kW Safety Shower Heaters</b>		
SNA-543/380D	Three Phase 54kW, 380V Safety Shower Heater, Freeze Protection -20°F	N/C
SNA-543/400D	Three Phase 54kW, 400V Safety Shower Heater, Freeze Protection -20°F	N/C
SNA-543/415D	Three Phase 54kW, 415V Safety Shower Heater, Freeze Protection -20°F	N/C
SNA-543/480D	Three Phase 54kW, 480V Safety Shower Heater, Freeze Protection -20°F	N/C
SNA-543/600D	Three Phase 54kW, 600V Safety Shower Heater, Freeze Protection -20°F	\$671.00
<b>63kW Safety Shower Heaters</b>		
SNA-633/380D	Three Phase 63kW, 380V Safety Shower Heater, Freeze Protection -20°F	\$284.00
SNA-633/400D	Three Phase 63kW, 400V Safety Shower Heater, Freeze Protection -20°F	\$284.00
SNA-633/415D	Three Phase 63kW, 415V Safety Shower Heater, Freeze Protection -20°F	\$284.00
SNA-633/480D	Three Phase 63kW, 480V Safety Shower Heater, Freeze Protection -20°F	\$284.00
SNA-633/600D	Three Phase 63kW, 600V Safety Shower Heater, Freeze Protection -20°F	\$767.00
<b>72kW Safety Shower Heaters</b>		
SNA-723/380D	Three Phase 72kW, 380V Safety Shower Heater, Freeze Protection -20°F	\$3,674.00
SNA-723/400D	Three Phase 72kW, 400V Safety Shower Heater, Freeze Protection -20°F	\$3,674.00
SNA-723/415D	Three Phase 72kW, 415V Safety Shower Heater, Freeze Protection -20°F	\$3,674.00
SNA-723/480D	Three Phase 72kW, 480V Safety Shower Heater, Freeze Protection -20°F	\$3,674.00
SNA-723/600D	Three Phase 72kW, 600V Safety Shower Heater, Freeze Protection -20°F	\$4,349.00
<b>108kW Safety Shower Heaters</b>		
SNA-1083/380D	Three Phase 108kW, 380V Safety Shower Heater, Freeze Protection -20°F	\$3,949.00
SNA-1083/400D	Three Phase 108kW, 400V Safety Shower Heater, Freeze Protection -20°F	\$3,949.00
SNA-1083/415D	Three Phase 108kW, 415V Safety Shower Heater, Freeze Protection -20°F	\$3,949.00
SNA-1083/480D	Three Phase 108kW, 480V Safety Shower Heater, Freeze Protection -20°F	\$3,949.00
SNA-1083/600D	Three Phase 108kW, 600V Safety Shower Heater, Freeze Protection -20°F	\$4,623.00
<b>126kW Safety Shower Heaters</b>		
SNA-1263/380D	Three Phase 126kW, 380V Safety Shower Heater, Freeze Protection -20°F	\$4,349.00
SNA-1263/400D	Three Phase 126kW, 400V Safety Shower Heater, Freeze Protection -20°F	\$4,349.00
SNA-1263/415D	Three Phase 126kW, 415V Safety Shower Heater, Freeze Protection -20°F	\$4,349.00
SNA-1263/480D	Three Phase 126kW, 480V Safety Shower Heater, Freeze Protection -20°F	\$4,349.00
SNA-1263/600D	Three Phase 126kW, 600V Safety Shower Heater, Freeze Protection -20°F	\$5,107.00
<b>144kW Safety Shower Heaters</b>		
SNA-1443/380D	Three Phase 144kW, 380V Safety Shower Heater, Freeze Protection -20°F	\$4,773.00
SNA-1443/400D	Three Phase 144kW, 400V Safety Shower Heater, Freeze Protection -20°F	\$4,773.00
SNA-1443/415D	Three Phase 144kW, 415V Safety Shower Heater, Freeze Protection -20°F	\$4,773.00
SNA-1443/480D	Three Phase 144kW, 480V Safety Shower Heater, Freeze Protection -20°F	\$4,773.00
SNA-1443/600D	Three Phase 144kW, 600V Safety Shower Heater, Freeze Protection -20°F	\$5,573.00

Only 480V heaters can be down rated to 380, 400, and 415 volts.

**Cabinet Options**

Classification	Description	List Price
N4	NEMA-4 Enclosure (Standard)	\$0.00
N4X	NEMA-4X Enclosure Stainless Steel	\$6,582.00
N4X316	NEMA-4X Enclosure 316 Stainless Steel	\$10,843.00

**Heater Product Options**

Classification	Description	List Price
AL3-SL	Stack Light with Distributed Control System Link	\$359.00
ENHT30	Freeze Protection -30°F	\$1,110.00
EXP2CFPM	Continuous Flow Explosion Proof Class1/Division2	\$3,868.00
FDS*	Internal Fused Disconnect	\$1,914.00
GF	Ground Fault Package	\$1,279.00
HLW	ASME Heat Exchanger (63KW and Higher Only)	\$3,807.00

\* Not available with SNA-723/600D.

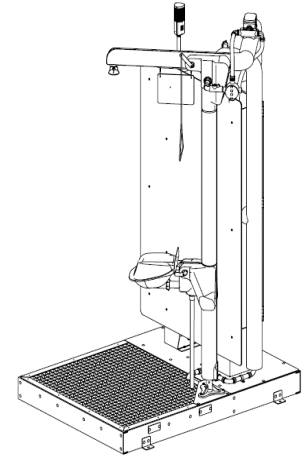
**Halo Heat Trace Combination Safety Fixture Selection (must select):**

Classification	Description	List Price
A	S19-304D2T - Heat traced combi unit. Class 1/Div 2, top supply, 120V, ABS showerhead, Halo eye/face wash, no alarm, no light, no drench hose, no anti-scaid valve.	N/C

**Heater Installation Accessories**

Classification	Description	List Price
BSPP	Stainless Steel Thread Adapter, Converts NPT to BSPP	\$1,186.00
PRS	1" ASME Pressure Relief Valve, Stainless Steel	\$4,467.00
YS	1-1/4" Y-Strainer	\$384.00
YSS	1-1/4" Y-Strainer, Stainless Steel	\$778.00

Include Installation Accessories below Model Number Configuration.



S19361HF shown with optional stack light

Prices subject to change without notice.  
Items may be changed or discontinued without notice and without incurring obligation.

### Change Log

Date	Page	Change Description	Implemented By
3/15/2022	All	2022 Price Increase	Ashley Lauscher
2/23/2023	All	2023 Price Increase	Val Bonney
11/20/2023	All	2024 Price Increase	Val Bonney

\*Unless noted, all changes apply to both US and CDN price book pages