

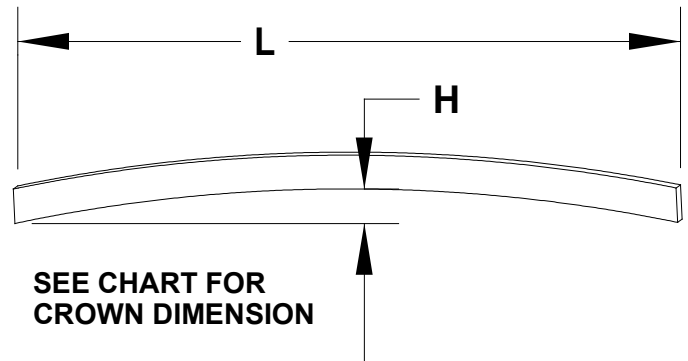
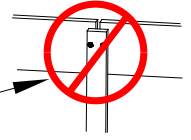
SEE CHART FOR BEND RADIUS

USE COURSE WOOD WORKING TOOLS FOR CUTTING AND DRILLING.

ALLOW FOR THERMAL EXPANSION AND SHRINKAGE BY LEAVING GAPS BETWEEN END OF BOARDS.

USE PLATED SCREWS TO JOIN BOARD TO STAKE.

DO NOT SCREW BOTH BOARDS TOGETHER.



SEE CHART FOR CROWN DIMENSION

PRODUCT NUMBER	NOMINAL DESCRIPTION	COLOR	ACTUAL DIMENSION D x H x L	MINIMUM RADIUS	GAP	MAXIMUM CROWN H / L
100041851	4 X 20	CARMEL BROWN	.55 in x 3.35 in x 20 ft 1.40cm x 8.5cm x 6.09m	36"	1/8"	19 in / 20 ft
100036756	6 X 20		.55 in x 5.35 in x 20 ft 1.40cm x 13.58cm x 6.09m			9 in / 20 ft

# EPIC EDGE COMPOSITE HEADER BOARD DETAIL # 210-A

MADE IN USA by EPIC PLASTICS  
104 E. TURNER RD, LODI CA 95240  
www.epicplastics.com

209.333.6161

EPIC EDGE BOARD IS INTENDED FOR NON-STRUCTURAL USE ONLY